

User Manual

GX5HRXG



Notice

The information in this user's manual is protected by copyright laws, all parts of this manual, including the products and software described in it, can not be reproduced, transmitted, transcribed, stored in a retrieval system, nor translated into any language.

THE MANUFACTURER OR RESELLER SHALL NOT BE LIABLE FOR ERRORS OR OMISSIONS CONTAINED IN THIS MANUAL AND SHALL NOT BE LIABLE FOR ANY CONSEQUENTIAL DAMAGES, WHICH MAY RESULT FROM THE PERFORMANCE OR USE OF THIS MANUAL.

The illustrations in this user's manual are for reference only. Actual product specifications may vary with territories.

The information in this user's manual is subject to change without notice.

TABLE OF CONTENTS

Notice	2
Preface	5
1.1 Regulations Information.....	6
1.2 Safety Instructions	10
1.3 Conventions for this Manual	11
1.4 Release History	12
Getting to know the basics	13
2.1 Product Specification.....	14
2.2 Preparing your Computer	18
2.3 Product Overview	19
Getting started	27
3.1 AC Adapter	28
3.2 Knowing the Keyboard	29
3.2.1 For keyboard users.....	30
BIOS setup	33

4.1 About BIOS Setup	34
4.1.1 When to Use BIOS Setup ?	34
4.1.2 How to Run BIOS Setup ?	34
4.2 BIOS Setup Menu.....	35
4.2.1 Main Menu.....	36
4.2.2 Advanced Menu	38
4.2.3 Security Menu.....	40
4.2.4 Boot Menu	42
4.2.5 Exit Menu.....	43

Chapter 1

Preface

1.1 Regulations Information

α CE compliance

This device is classed as a information technology equipment (ITE) in class B and is intended for use in living room and office. The CE-mark approves the conformity by the EU-guidelines:

- EMC Directive 2014/30/EU,
- Low Voltage Directive 2014/35/EU
- RF Directive 2014/53/EU

SAR/DAS refers to the rate at which the body absorbs RF energy.

The SAR limit set by the ICNIRP Guidelines is 2.0 W/kg(10g).

Testing for SAR is conducted using standard operating positions accepted by the EN standard.

During testing, the radio is set to its highest transmission levels and placed in positions that simulate use against the body.

This product is compliant with ICNIRP Guidelines with respect to Electromagnetic Fields (EMF) which specifies a Specific Absorption Rate (SAR) limit of 2W/kg. DAS*/SAR: 0.074 W/kg (corps/body)



Rechargeable Battery Notice

Do not

1. Throw into fire or a hot oven, or mechanically crush or cutting of a BATTERY
2. Throw or immerse into water
3. Heat to more than 60°C
4. Repaire or disassemble
5. Leave in an extremely low air pressure environment
6. Leave in an extremely high-temperature environment

A power cord is connected to a socket-outlet with earthing connection.



The unit can be operated at an ambient temperature of max. 35°C (95°F). Do not subject it to temperatures below 5°C (41°F) or above 40°C (104 °F).

CAUTION: RISK OF EXPLOSION IF BATTERY IS REPLACED BY AN INCORRECT TYPE DISPOSE OF USED BATTERIES ACCORDING TO THE INSTRUCTIONS.



PREVENTION OF HEARING LOSS

CAUTION: Listening to music at high volume levels and for extended durations can damage one's hearing. In order to reduce the risk of damage to hearing, one should lower the volume to a safe, comfortable level, and reduce the amount of time listening at high levels. Headsets should comply with EN 50332-2 requirements.



FCC Information

FEDERAL COMMUNICATIONS COMMISSION INTERFERENCE STATEMENT

This equipment has been tested and found to comply with the limits for a Class B digital device, pursuant to part 15 of the FCC Rules. These limits are designed to provide reasonable protection against harmful interference in a residential installation. This equipment generates, uses and can radiate radio frequency energy and, if not installed and used in accordance with the instructions, may cause harmful interference to radio communications. However, there is no guarantee that interference will not occur in a particular installation. If this equipment does cause harmful interference to radio or television reception, which can be determined by turning the equipment off and on, the user is encouraged to try to correct the interference by one or more of the following measures:

- Reorient or relocate the receiving antenna.
- Increase the separation between the equipment and receiver.
- Connect the equipment into an outlet on a circuit different from that to which the receiver is connected.
- Consult the dealer or an experienced radio/ TV technician for help.



CAUTION: Any changes or modifications not expressly approved by the grantee of this device could void the user's authority to operate the equipment.

RF Exposure Information(SAR)

This device meets the government's requirements for exposure to radio waves. This device is designed and manufactured not to exceed the emission limits for exposure to radio frequency (RF) energy set by the Federal Communications Commission of the U.S. Government.

The exposure standard employs a unit of measurement known as the Specific Absorption Rate, or SAR. The SAR limit set by the FCC is 1.6 W/kg. Tests for SAR are conducted using standard operating positions accepted by the FCC with the EUT transmitting at the specified power level in different channels.

The FCC has granted an Equipment Authorization for this device with all reported SAR levels evaluated as in compliance with the FCC RF exposure guidelines. SAR information on this device is on file with the FCC and can be found under the Display Grant section of www.fcc.gov/eot/ea/fccid after searching on FCC ID: RAS-MT7922A22M .

This device complies with Part 15 of the FCC Rules. Operation is subject to the following two conditions:

- (1) this device may not cause harmful interference, and
- (2) this device must accept any interference received, including interference that may cause undesired operation.



CAUTION: Any changes or modifications not expressly approved by the grantee of this device could void the user's authority to operate the equipment.

1.2 Safety Instructions



- 1** Do not apply heavy pressure to the computer or subject it to any form of strong impact as this can damage the computer's components or otherwise cause it to malfunction.
- 2** Never cover or block the air vents including those located at the base of the computer. Never cover your computer or AC adapter with any object.
- 3** To keep your computer in prime operating condition, protect your work area from direct sunlight.
- 4** Do NOT expose to or use near liquid, rain, or moisture. Do NOT use the modem during electrical storms.
- 5** Do not use or expose this device around magnetic fields as magnetic interference may affect the performance of the device.

1.3 Conventions for this Manual



CAUTION : This message contains important information that must be followed for safe operation.



NOTE : This message contains information for special situations.

1.4 Release History

Version	Date	Revision
1.0	12/2023	Initial release
.....		
.....		

Chapter 2

Getting to know the basics

2.1 Product Specification

This User's Manual provides technical information of instructions and illustrations on how to operate this notebook for the customer. Please read this manual carefully before using this notebook.

· Physical Characteristic

■ Dimension

342*237.82*18.1 mm

weight:1.7Kg +/- 5% (depend upon the actually shipping product)

· CPU

■ Support Processor

AMD Hawkpoint

· Memory

■ RAM

DDR5 5600MHZ

· Display

■ LCD

15.3" 16:10

WQXGA 2560x1600

· I/O Port

USB	USB-A@Left x1: (USB2, 480Mbps) USB-A@Right x2: (USB3.2 Gen1, 5Gbps) USB-C+DP+PD@ Rear x1: (USB4, 40Gbps; DP1.4a:iGPU, HBR3, 32.4Gbps) USB-C+DP+PD@Left x1: (USB3.2 Gen2, 10Gbps; DP1.4a:iGPU, HBR3, 32.4Gbps)
RJ45	x 1
HDMI	x 1 (HDMI 2.1)
3.5mm UAJ Jack	x 1
Card reader (Option)	x 1 SD/SDHC/SDXC, SD7.0 Full-Size

· Audio

■ Codec: CX11880

Nahimic

■ Speaker/MIC

Build-in 2 speakers

Speaker : 2W/each

Digital Microphone support

· Webcam

- Infrared capability for facial recognition camera (Option)

HD Camera D-MIC x1, 4mm

HD+IR Hybrid webcam D-MIC x2, 4mm(option)

FHD & IR dual webcam D-MIC x2, 4mm(option)

· Communication Port

- Wireless LAN +BT

M.2 2230 w/ PCIe interface

(AMD WiFi 6 RZ616) (Wi-Fi 7 BE200 Reserve)

IEEE802.11 a/b/g/n/ac/ax/be support

- LAN

Supports 10/100/1000 Mb/sec

· Input

- Keyboard

Full-Size Membrane KB w/ NumPad

travel =1.4 ±0.2 mm

Backlit =Single Zone (White)

- Pointing Device

121*73 mm

TP Glass/Mylar (Option)

Support Palm Rejection

· Power

■ AC Adapter

Automatics Voltage adjustment between 100 and 240VAC 50/60Hz,
100 Watts (20V/5A) Type-C

■ Battery (By model)

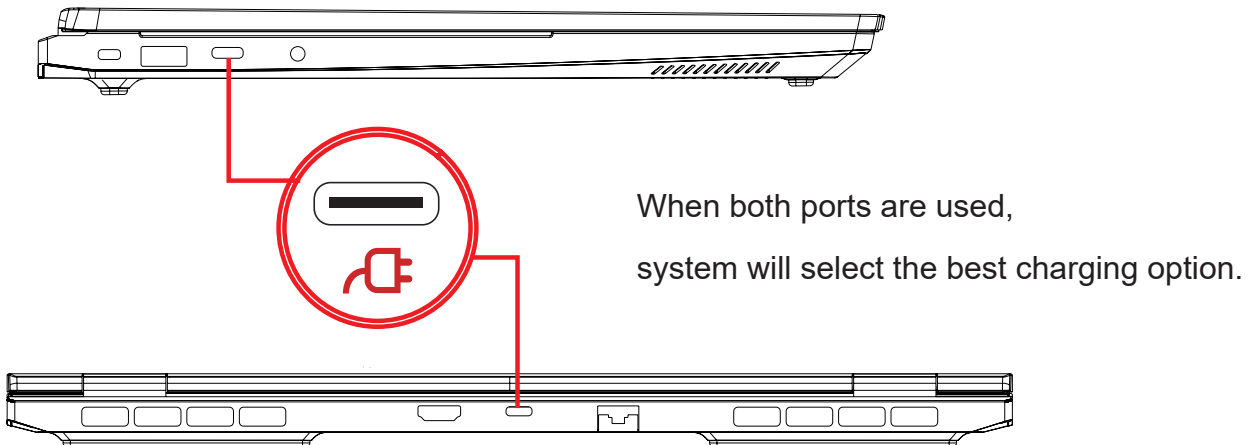
Li- polymer Battery, SW Gas Gauge IC, soft pack,
4S1P 5200mAh 80Wh (Option)
4S1P 6450mAh 99Wh (Option)
3S1P 5200mAh 60Wh



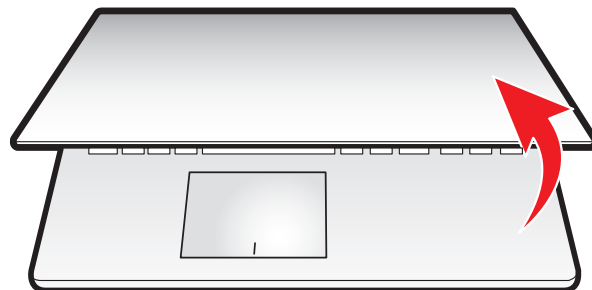
CAUTION: MODEL IS DESIGNED TO USE WITH THE
DC INPUT: 100 Watts (20V/5A)

2.2 Preparing your Computer

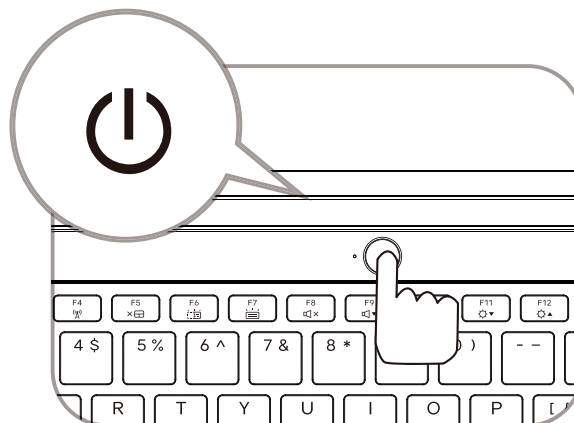
- A** Connect the AC adapter's DC output plug to the DC IN jack. The first time to use, the computer will take a long time to boot up, please wait patiently.



- B** The display panel can be opened to a wide range of angles for optimal viewing.



- C** Press the power button to turn on your notebook computer.



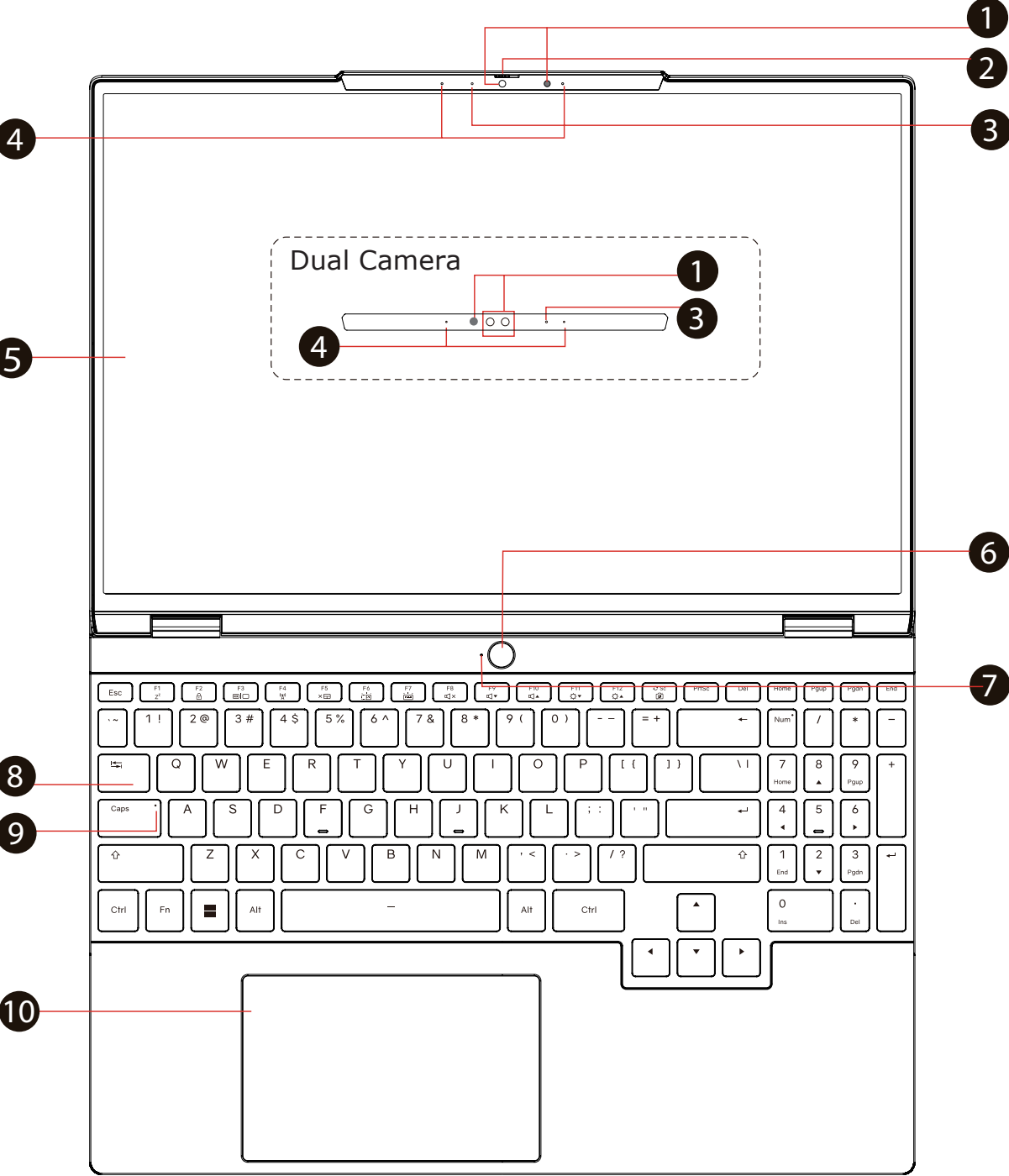
2.3 Product Overview

Please become familiar with each component before you operate the computer.

Top-Open View



NOTE: The product's color/ LED color, I/O port, indicator location, and specification will depend upon the actually shipping product.



1 Camera / Dual Camera (Option)

A device that allows you to record video or take photographs with your computer.

Infrared capability for facial recognition camera (Option)

can be used to identify and authenticate user to unlock notebook, conduct payment and other security functions.

2 Shutter latch

Use Shutter latch to close the camera to protect privacy.

3 Camera Status LED

The Camera Status LED shows the Camera status.

4 Microphone

Built-in microphones.

IR CCD MIC*2(R Option)

5 LCD screen

Displays of your notebook computer.

6 Power Button

Press this button to turn the computer's power on or off.



CAUTION:When you are not using the computer, keep the LCD-screen closed to protect it from dust.

7 Power indicator

Charging Power On: Amber Solid

No Charging (Battery low): Amber Solid

Power Off: OFF

8 Keyboard

The keyboard provides keys with comfortable travel

(The keyboard legend will depend on the spec / region)

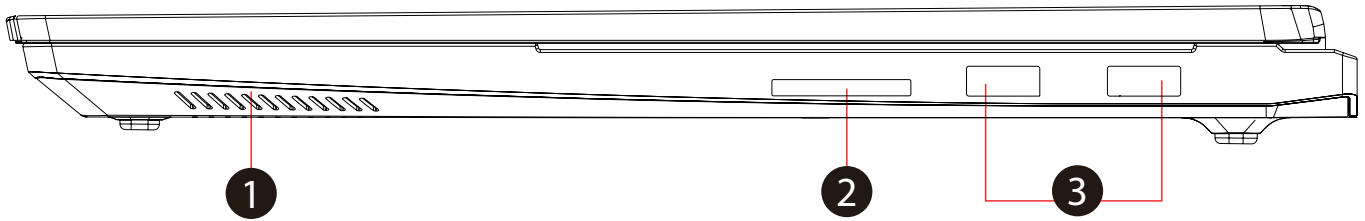
9 Caps Lock Status LED

Default: ON (White)

10 Touchpad/Click pad

Touch-sensitive pointing device which functions like the mouse.

Right Side View



1 **Speaker**

2 **Card Reader (Option)**

USB interface, SD/SDHC/SDXC, UHS-I speed

Connector: Full SD size

3 **USB Port**

Connects a USB device (such as USB Zip drive, keyboard or mouse) into this jack. With charging function.

Left Side View



1 Kensington® Lock Port

To be secured using Kensington® Lock Port security products.

2 USB Port

Connects a USB device (such as USB Zip drive, keyboard or mouse) into this jack. With charging function.

3 USB Port (Type C)

Connects a USB device.


(USB3.2 Gen2, 10Gbps; DP1.4a:iGPU, HBR3, 32.4Gbps)

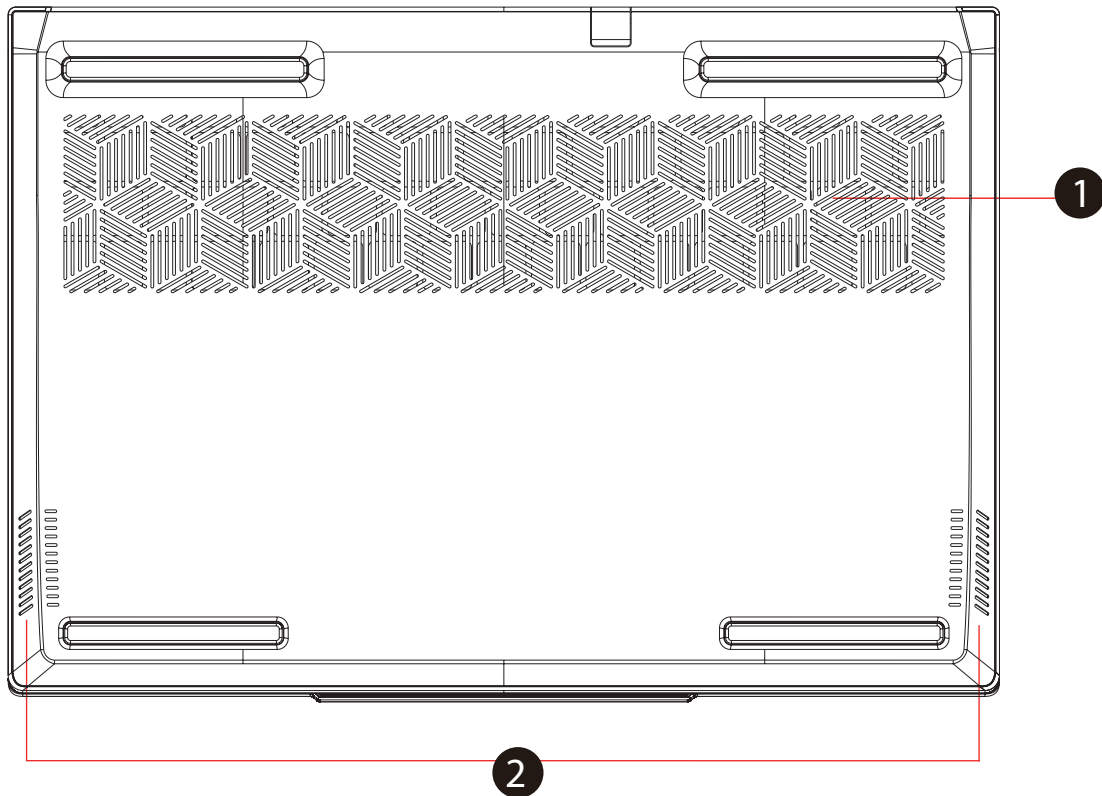
4 3.5mm UAJ Jack

Connect the 3.5mm audio combo jack/headphones to this port.

5 Speaker

Bottom Side View


 NOTE : The product's thermal vent will depend upon the actually shipping product.



1 Vents

The thermal vents are designed to cool the internal components and avoid overheating.

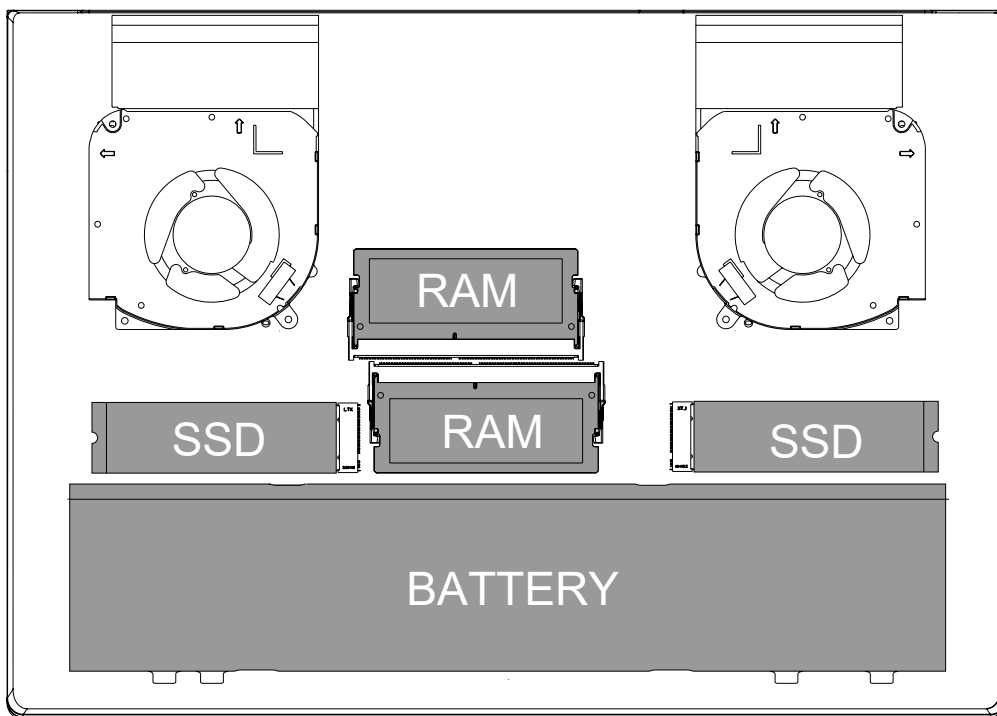
2 Speaker

 CAUTION: To reduce the possibility of heat-related injuries or of overheating the computer, do not place the computer directly on your lap or obstruct the computer air vents. Use the computer only on a hard, flat surface. Do not allow another hard surface, such as an adjoining optional printer, or a soft surface, such as pillows or rugs or clothing, to block airflow. Also, do not allow the AC adapter to come into contact with the skin or a soft surface, such as pillows or rugs or clothing, during operation.

Compartment View

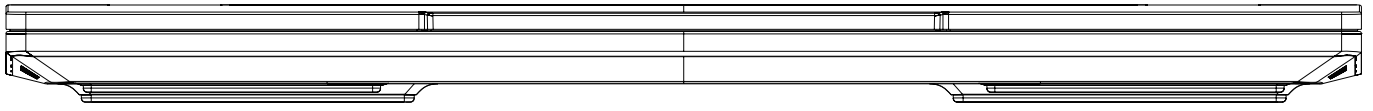


NOTE: Specification will depend upon the actually shipping product.

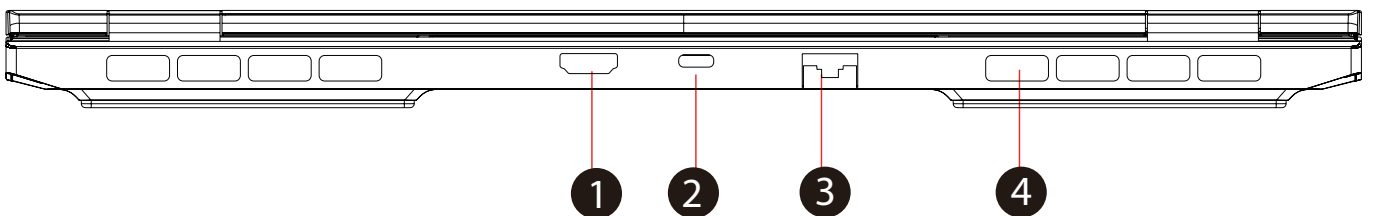


If need to upgrade SATA SSD to PCIE SSD,
Please contact technical support and after-sales service .

Front Side View



Back Side View



- 1 HDMI port**
Connected to the screen, or home theater system.
- 2 USB Port (Type C)**
Connects a USB device.
(USB4, 40Gbps; DP1.4a:iGPU, HBR3, 32.4Gbps)

- 3 Network Jack**
This jack lets you connect to a LAN.

- 4 Vents**
The thermal vents are designed to cool the internal components and avoid overheating.

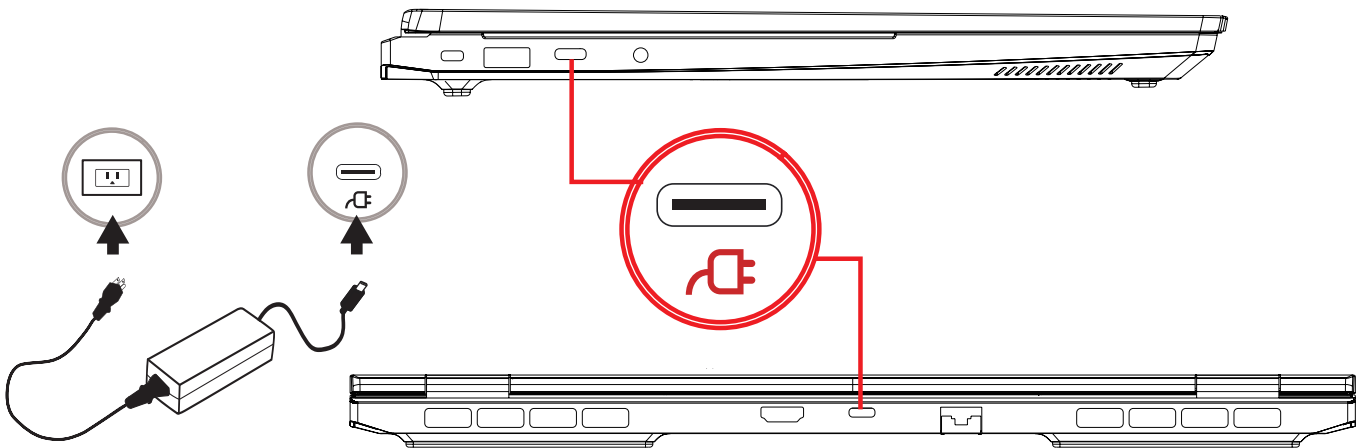
Chapter 3

Getting started

3.1 AC Adapter

Please be noted that it is strongly recommended to connect the AC adapter and use the AC power while using this notebook for the first time. When the AC adapter is connected, the battery is being charged immediately. Attach the AC adapter when you need to charge the battery or you want to operate from AC power. It is also the fastest way to get started, because the battery pack will need to be charged before you can operate from battery power.

Note that the AC adapter included in the package is approved for your notebook; using other adapter model may damage either the notebook or other devices attached to it.



When both ports are used,
system will select the best charging option.



CAUTION: The use of inferior extension cords may result in damage to your notebook. Your notebook comes with its own authorized AC adapter. Use of a different AC adapter or cable extension which is not authorized for use will void warranty protection if damage to hardware is found in association to said adapter or extension cable.

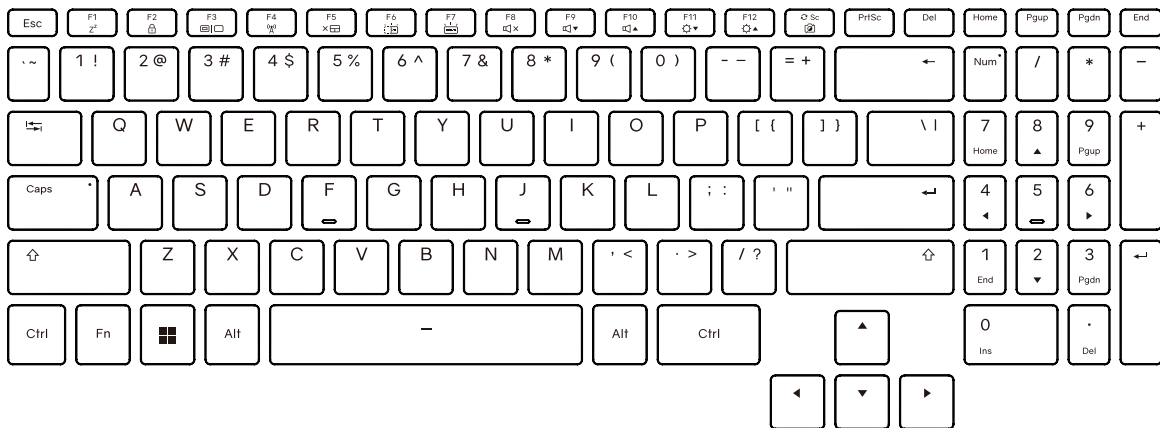


NOTE: The power adapter can become hot when in use. Please be sure the AC adapter is not covered with any materials keep it away from exposed parts of your body. The AC adapter appearance may vary depending on your region.

3.2 Knowing the Keyboard

The following defines the hot keys on the Keyboard.

The commands can only be accessed by first pressing and holding the function key while pressing a key with a command.


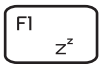







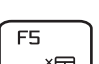


NOTE: The design of the number of keys available on the keyboard, printing color or backlight depends on the country (region) in which the keyboard was designed and built.












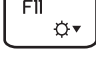


3.2.1 For keyboard users

To activate these functions, press the hot key associated with the desired function as below :



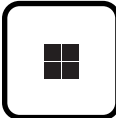
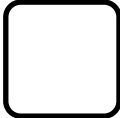
Function Keys

Keypad	Function Description
 +  Suspend:	Press this key combination (Fn+F1) to enter sleep mode.
 +  Windows Lock/On:	Press this key combination (Fn+F2) to turn Windows Lock/On .
 +  Display mode:	Press this key combination (Fn+F3) to enable Display Mode.
 +  RADIO On/Off:	Press this key combination (Fn+F4) to turn all radios on or off.
 +  Touch pad On/Off:	Press this key combination (Fn+F5) to On/Off Touch pad mode.

Function Keys

Keypad	Function Description
 +  Keyboard Brightness down:	Press this key combination (Fn+F6) to decrease brightness of Keyboard.
 +  Keyboard Brightness up:	Press this key combination (Fn+F7) to increase brightness of Keyboard.
 +  MUTE:	Press this key combination (Fn+F8) to enter MUTE mode.
 +  Volume down:	Press this key combination (Fn+F9) to enter Volume down mode.
 +  Volume up:	Press this key combination (Fn+F10) to enter Volume up mode.
 +  Brightness down:	Press this key combination (Fn+F11) to decrease brightness of LCD display.
 +  Brightness up:	Press this key combination (Fn+F12) to increase brightness of LCD display.

Function Keys

Keypad	Function Description
 +  Camera On/Off:	Press this key to On/Off camera function.
 +  Search Charm : (Optional)	For a full list of Windows keyboard shortcuts, please visit the Microsoft official website <a data-bbox="810 887 1334 920" href="https://support.microsoft.com/en-us/">https://support.microsoft.com/en-us/

Chapter 4

BIOS setup

4.1 About BIOS Setup

4.1.1 When to Use BIOS Setup ?

You may need to run the BIOS Setup when:

- An error message appears on the screen during the system booting up and is requested to run SETUP.
- You want to change the default settings for customized features.
- You want to reload the default BIOS settings.

4.1.2 How to Run BIOS Setup ?

To run the BIOS Setup Utility, turn on the notebook and press the [Del] key during the POST procedure.

If the message disappears before you respond and you still wish to enter Setup, either restart the system by turning it OFF and ON, or simultaneously pressing [Ctrl]+[Alt]+[Del] keys to restart.

Be noted that the screen snaps and setting options in this chapter are for your references only. The actual setting screens and options on your Notebook may be different because of BIOS update.

The setup function only can be invoked by pressing [Del] or [F2] key during POST that provide a approach to change some setting and configuration the user prefer, and the changed values will save in the NVRAM and will take effect after the system rebooted. The setup uses a menu interface to allow the user to configure their system and the features are briefly listed as follow.

Press [F7] key for Boot Menu.



NOTE : The drivers, BIOS and utilities bundled in the support DVD may vary by models and are subject to change without notice.

4.2 BIOS Setup Menu

Once you enter the BIOS Setup Utility, the Main Menu will appear on the screen. Select the tags to enter the other menus.

Main Menu

Show system overview about memory size and setting of system time and date.

Advanced Menu

Display device information and advanced setting items.

Security Menu

Install or clear the password settings for supervisor and user.

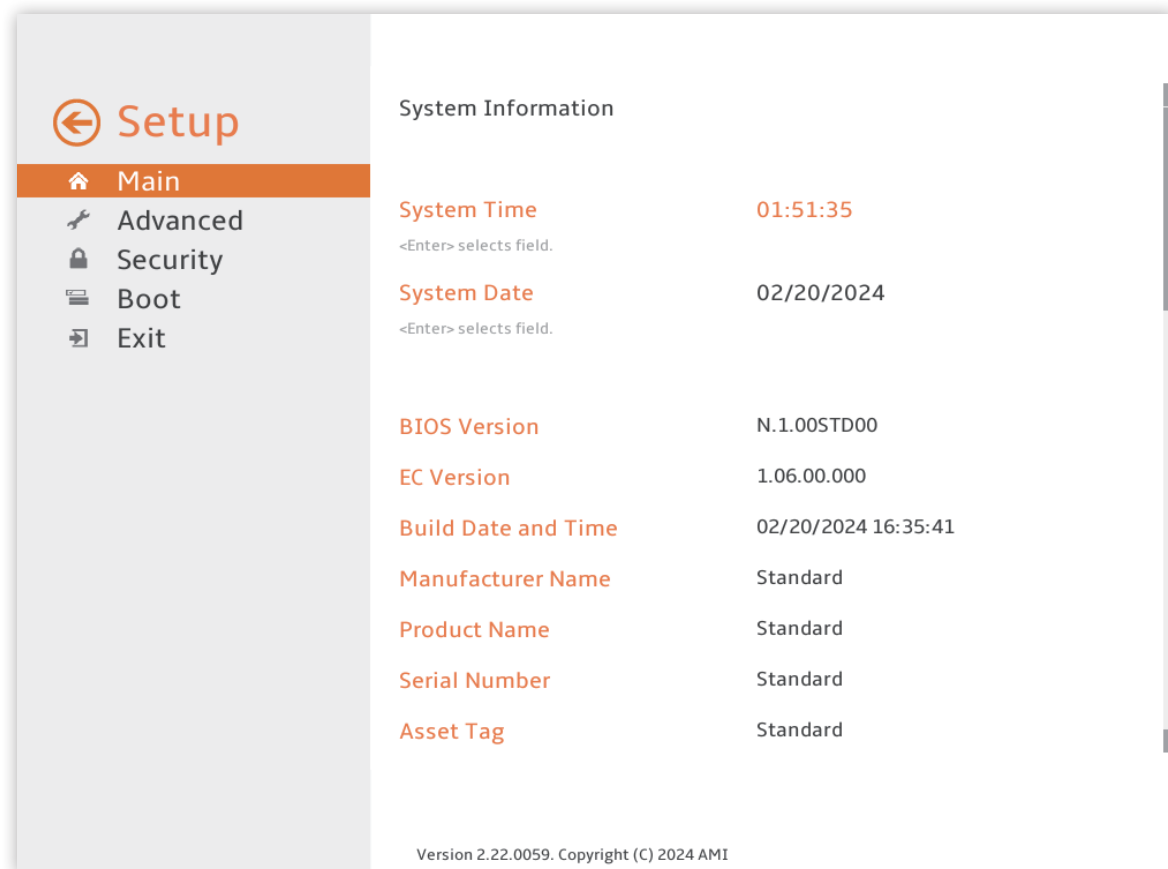
Boot Menu

Configure Settings during System Boot.

EXIT Menu

Save or discard the changes before leaving the BIOS Setup Menu.

4.2.1 Main Menu



- System Time

This item allows you to set the system time. There is a small internal (CMOS) battery which is designed to maintain your system clock. It is designed to maintain time even when the PC is powered down or in sleep mode. The time format is [hour:minute:second].

Use [+] or [-] to configure system Time.

- System Date

This item allows you to set the system date. The date format is [day:month:date:year].

Use [ENTER], [TAB] or [SHIFT-TAB] to select a field.

Day	Day of the week, from Sun to Sat, which is determined by BIOS (read-only).
Month (Month)	The month from 01 (January) to 12 (December).
Date (Date)	The date from 01 to 31.
Year (Year)	The year can be adjusted by users.

- Processor Type

Brand information of installed processor

- Processor Speed

Current Processor Speed, unit is MHz

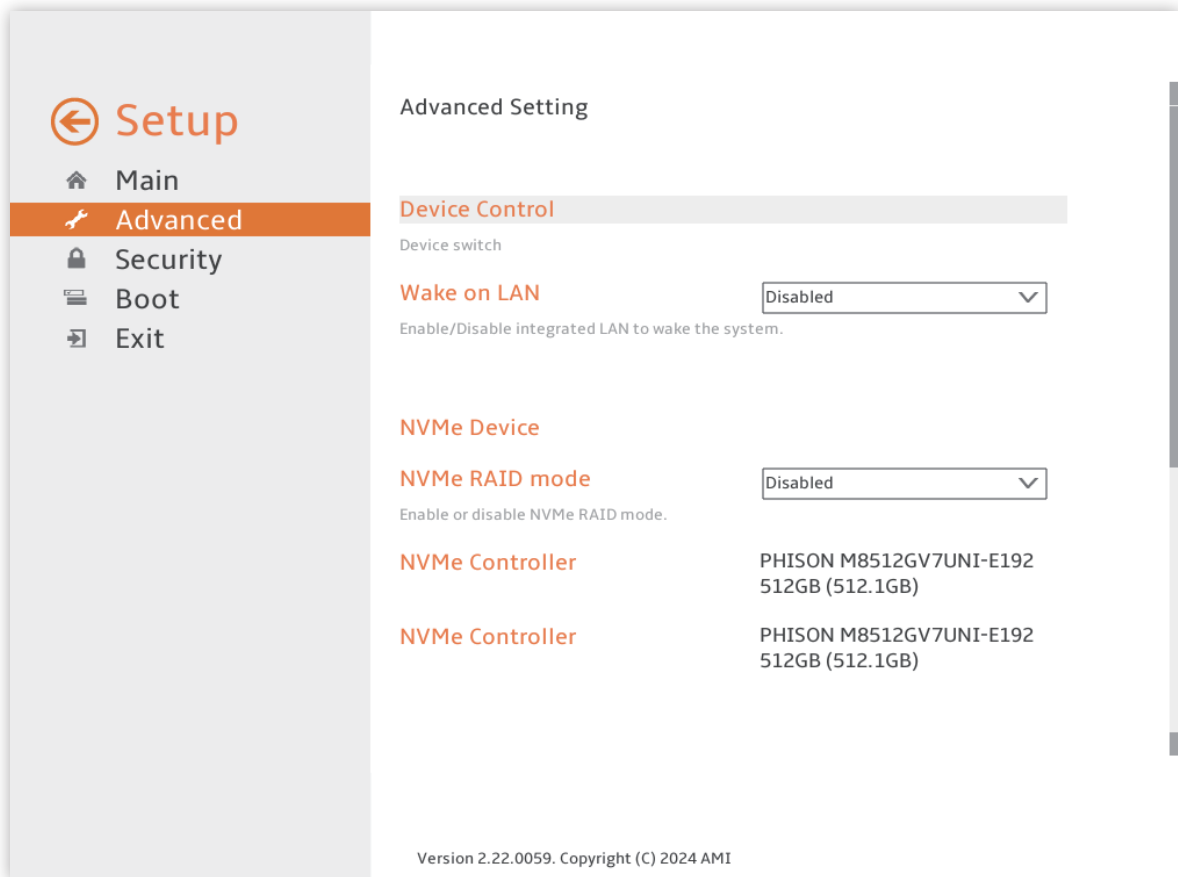
- Total Memory

This allows you to see the total amount of memory

- Memory Frequency

Current Memory Speed, unit is MT/s

4.2.2 Advanced Menu



- Wake on LAN
Enable/Disable integrated LAN to wake system.
- NVME Device
NVME SSD info will be displayed
- NVME RAID mode
Enable or disable NVME RAID mode
- Operating mode
Operating Mode includes the Fan Speed and CPU power level setting to optimize overall performance and heat dissipation

4.2.3 Security Menu

← Setup

- 🏠 Main
- 🔧 Advanced
- 🔒 Security
- 📁 Boot
- 🚪 Exit

Security Settings

Access Level	Administrator
Administrator Password	Not Installed
User Password	Not Installed

Change Administrator Password -Not Installed

Set Setup Administrator Password

Change User Password -Not Installed

Set User Password

Password Login Control

Enables password entry on boot, setup page, or both.

SCPC Firmware Protection Support

Version 2.22.0059. Copyright (C) 2024 AMI

← Setup

- 🏠 Main
- 🔧 Advanced
- 🔒 Security
- 📁 Boot
- 🚪 Exit

Vendor Keys Valid

Factory Key Provision

Install factory default Secure Boot keys after the platform reset and while the System is in Setup mode

Restore Factory Keys

Force System to User Mode.
Install factory default Secure Boot key databases

Reset To Setup Mode

Delete all Secure Boot key databases from NVRAM

Secure Boot variable	Size Keys Key Source
Platform Key	(PK) 881 1 Factory

Enroll Factory Defaults or load certificates from a file:
1. Public Key Certificate:
a)EFI_SIGNATURE_LIST
b)EFI_CERT_X509 (DER)
c)EFI_CERT_RSA2048 (bin)
d)EFI_CERT_SHAXXX

Version 2.22.0059. Copyright (C) 2024 AMI

- Change Administrator Password

When this item is selected, a message box shall appear on the screen as below:



Type a maximum of 20-digit password and press [Enter].

The password typed now will replace any previously set password from CMOS memory. You may also press [ESC] to abandon new password setting. It is extremely important to keep record for any BIOS password which is set as it can not be reset even with the removal of a CMOS battery for the security of your PC.

Select Change User Password to give or to abandon password setting same as Change Administrator Password item above.

Note that Administrator Password field allows users to enter and change the settings of the BIOS SETUP UTILITY, while User Password field only allows users to enter the BIOS SETUP UTILITY without having the authorization to make any change.

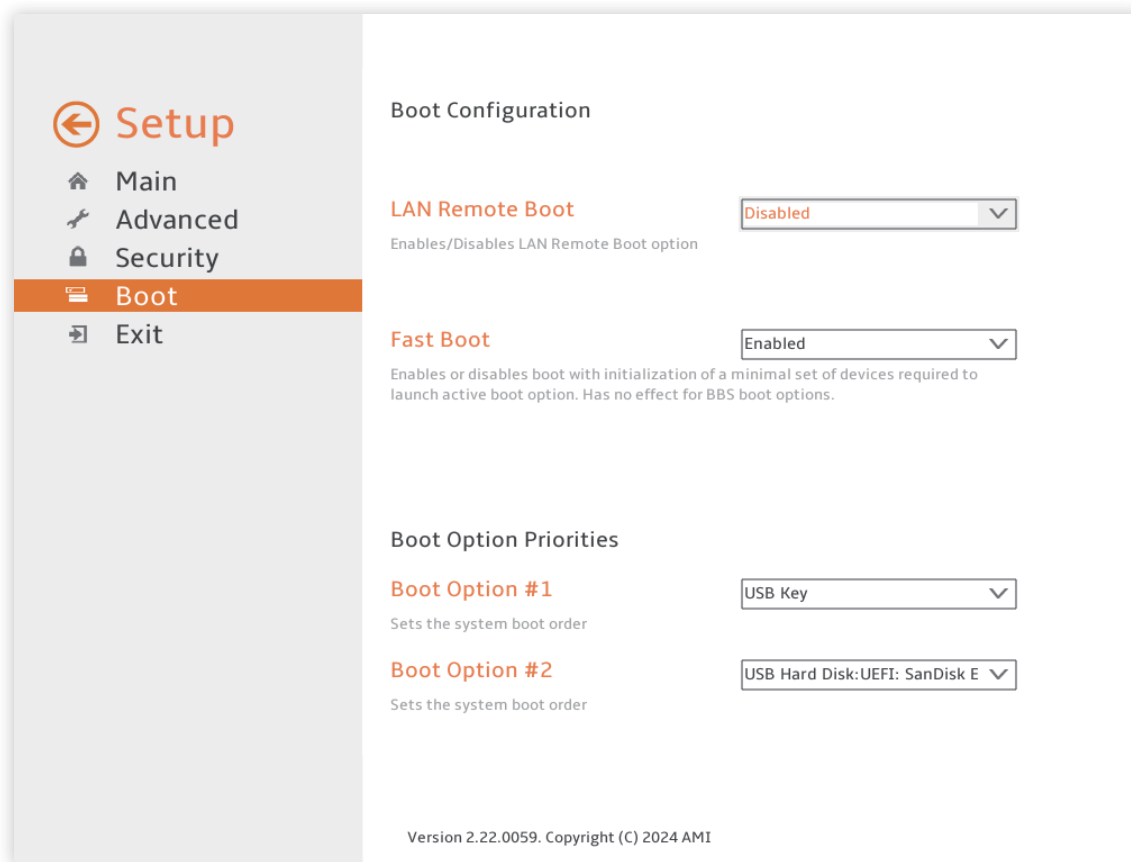
The Password Check item is used to specify the type of BIOS password protection that is implemented.

To clear a set Administrator Password/ User Password, just press [Enter] under Change Administrator Password/ Change User Password field when you are prompted to enter the password. A message box will pop up confirming password will be disabled. Once the password is disabled, the system will boot and user can enter setup without entering password.

Key Management:

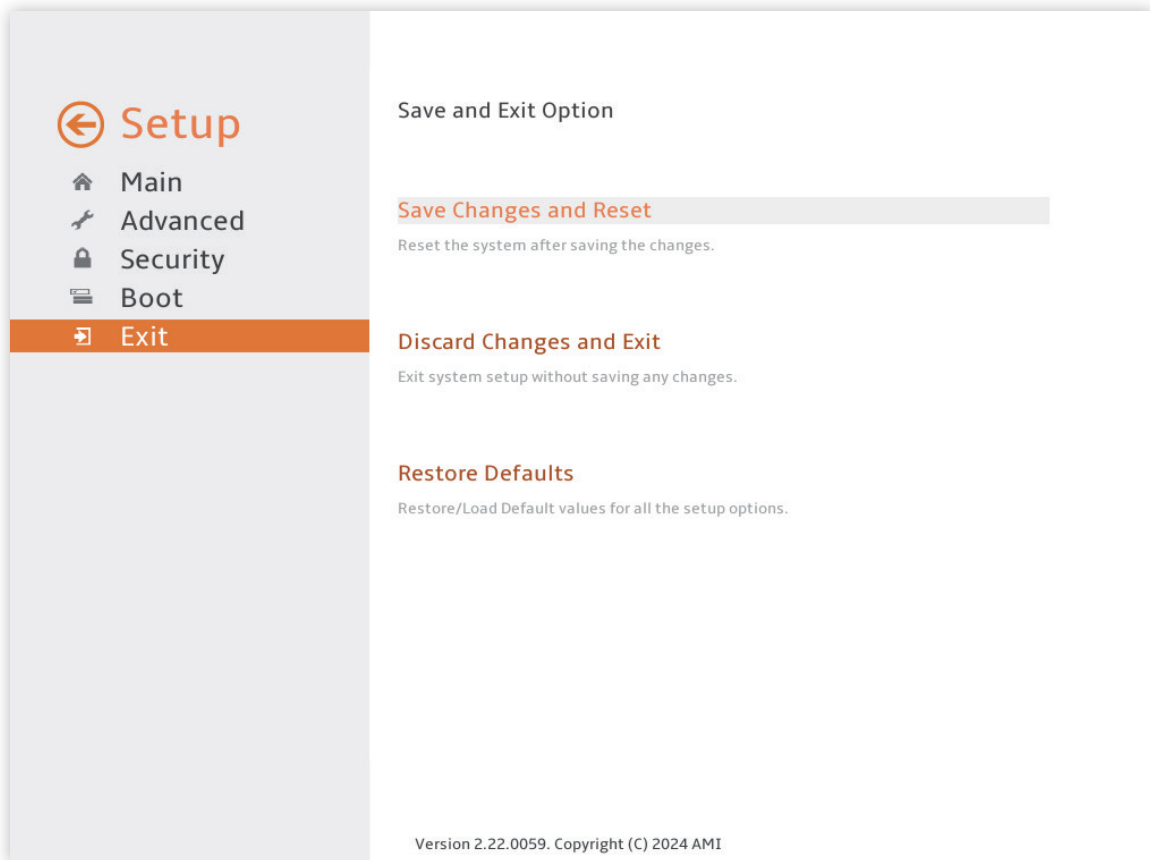
Enables expert user to modify Secure Boot Policy variables without full authentication.

4.2.4 Boot Menu



- **Boot Configuration**
Configure Settings during System Boot.
- **Set Boot Priority (1st/2nd/3rd/..... Boot)**
Specifies the boot sequence from the available devices.
A device enclosed in parenthesis has been disabled in the corresponding type menu.
- **Hard Disk Drive / USB HardDisk Drive**
Specifies the Boot Device Priority sequence.
- **Fast Boot:** [Enabled/ Disabled]

4.2.5 Exit Menu



- **Save Changes and Reset**
Exit system setup after saving the changes. F10 key can be used for this operation.
- **Discard Changes and Exit**
Exit system setup without saving any changes. ESC key can be used for this operation.
- **Restore Defaults**
Restore/Load Defaults values for all the setup options. F9 key can be used for this operation.